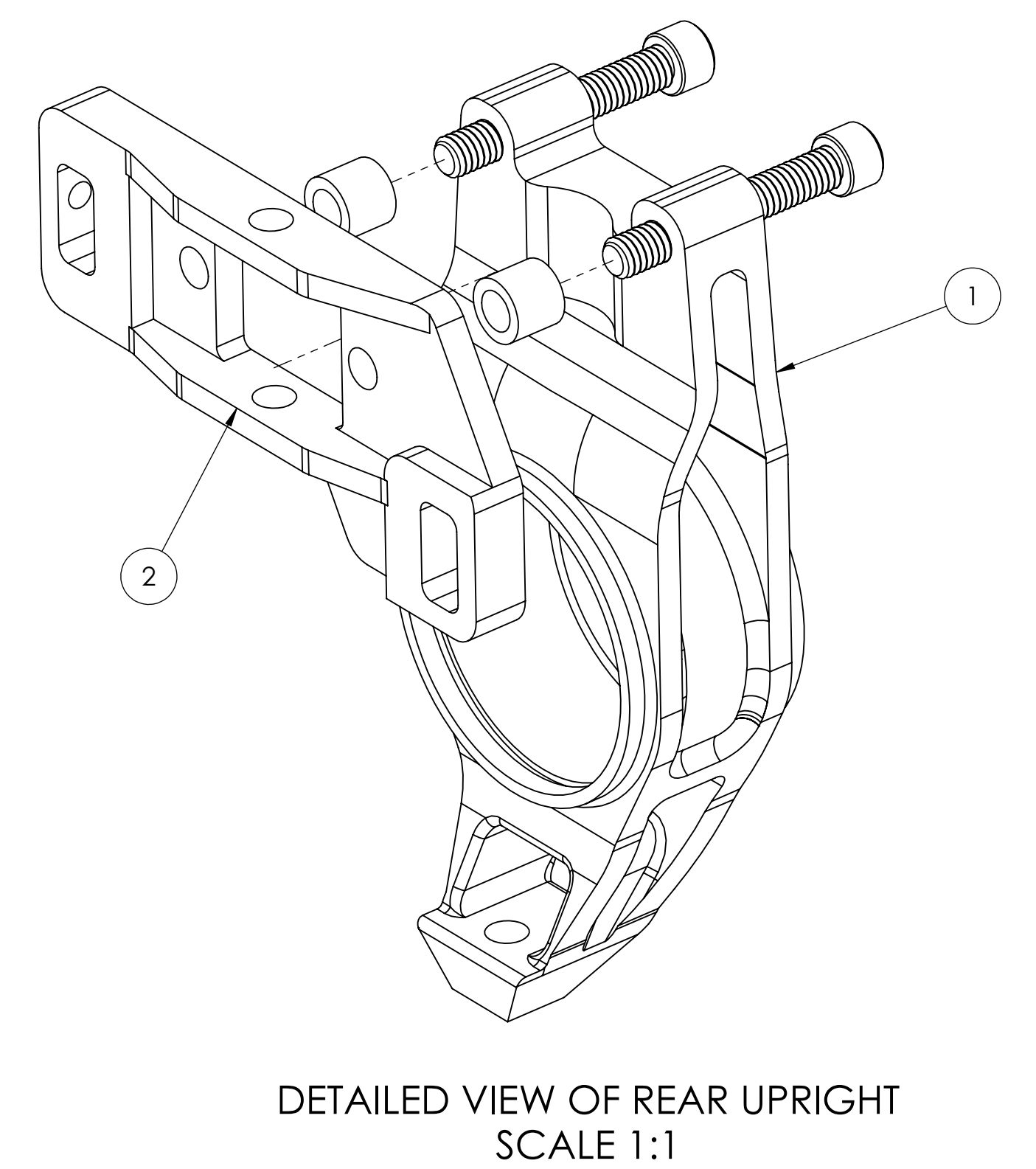
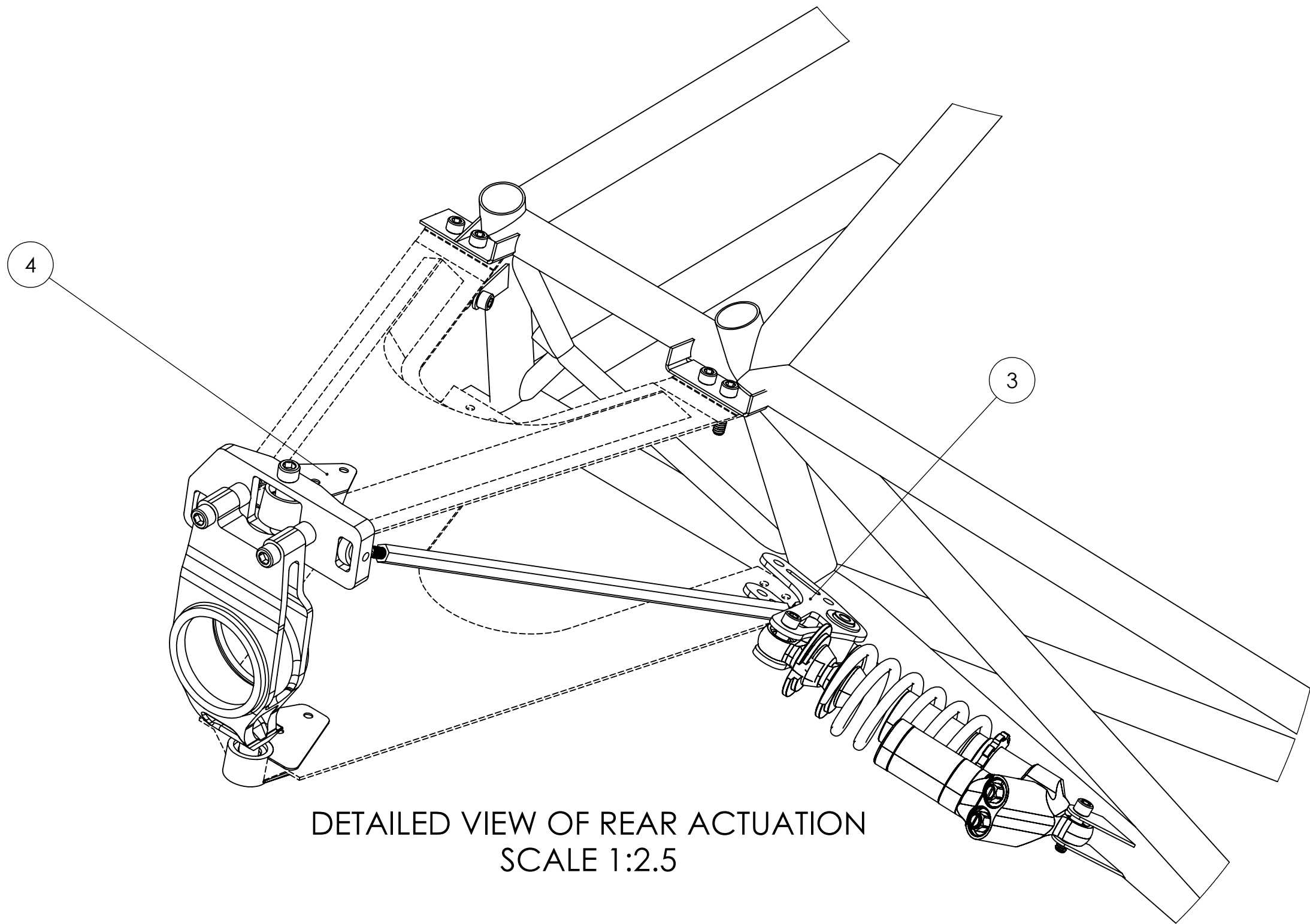
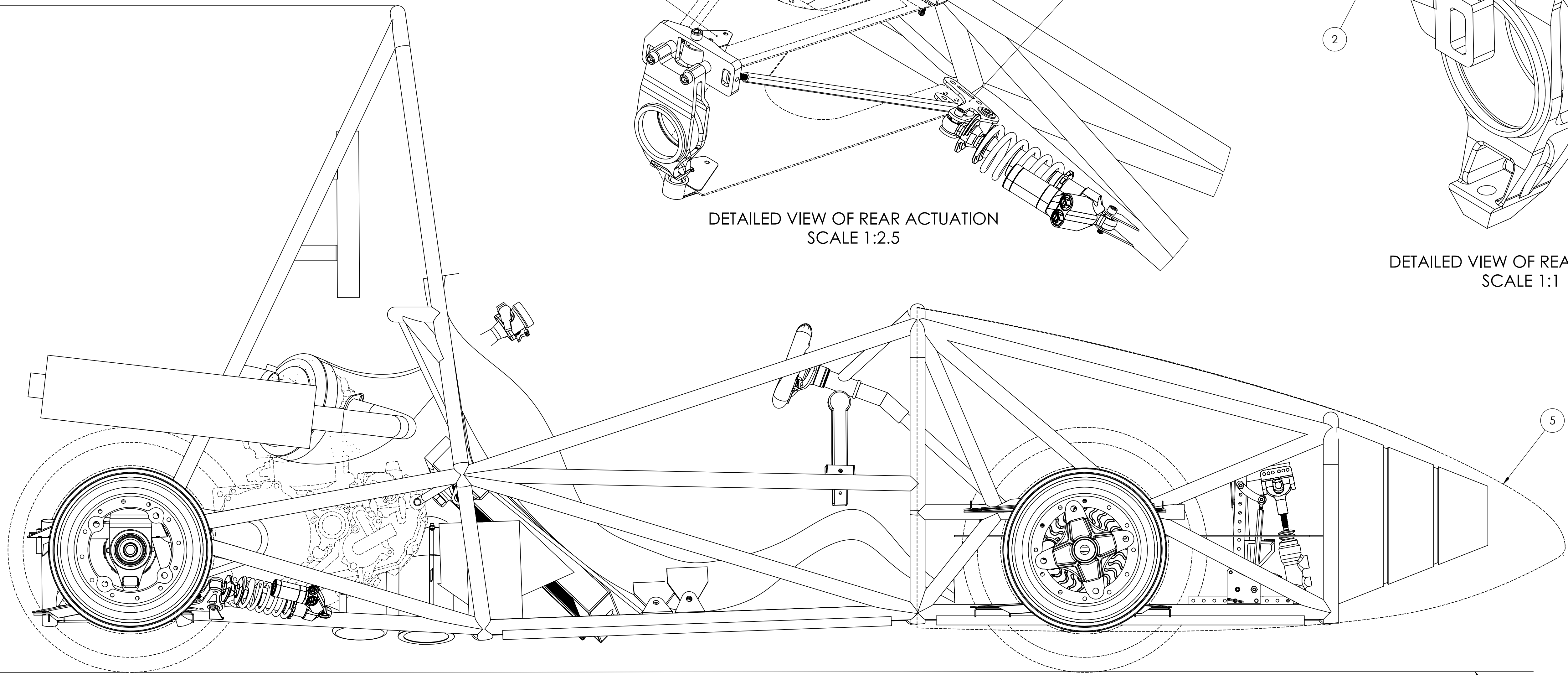


HEIGHT 66.61 [1692.00]



GROUND PLANE

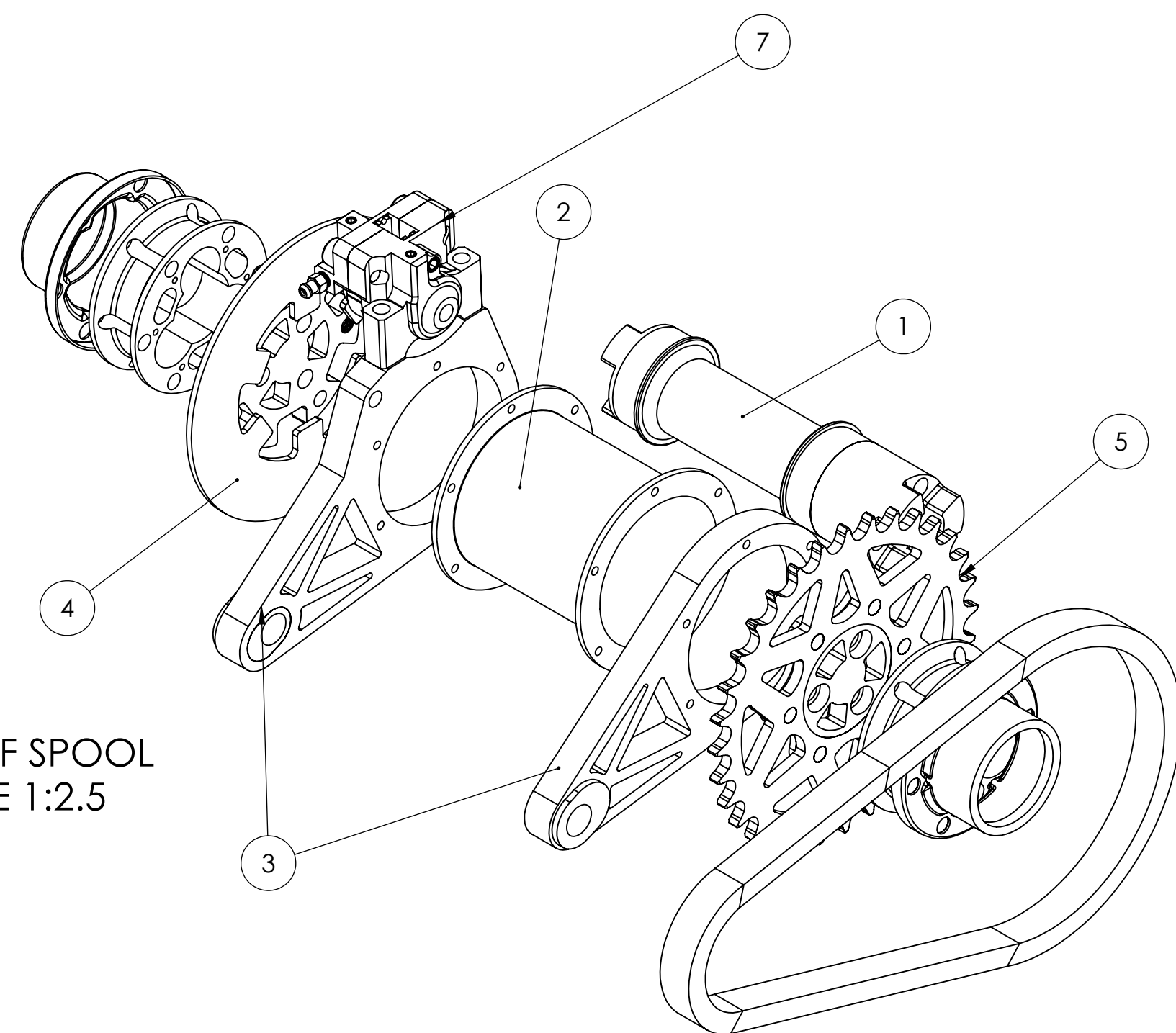
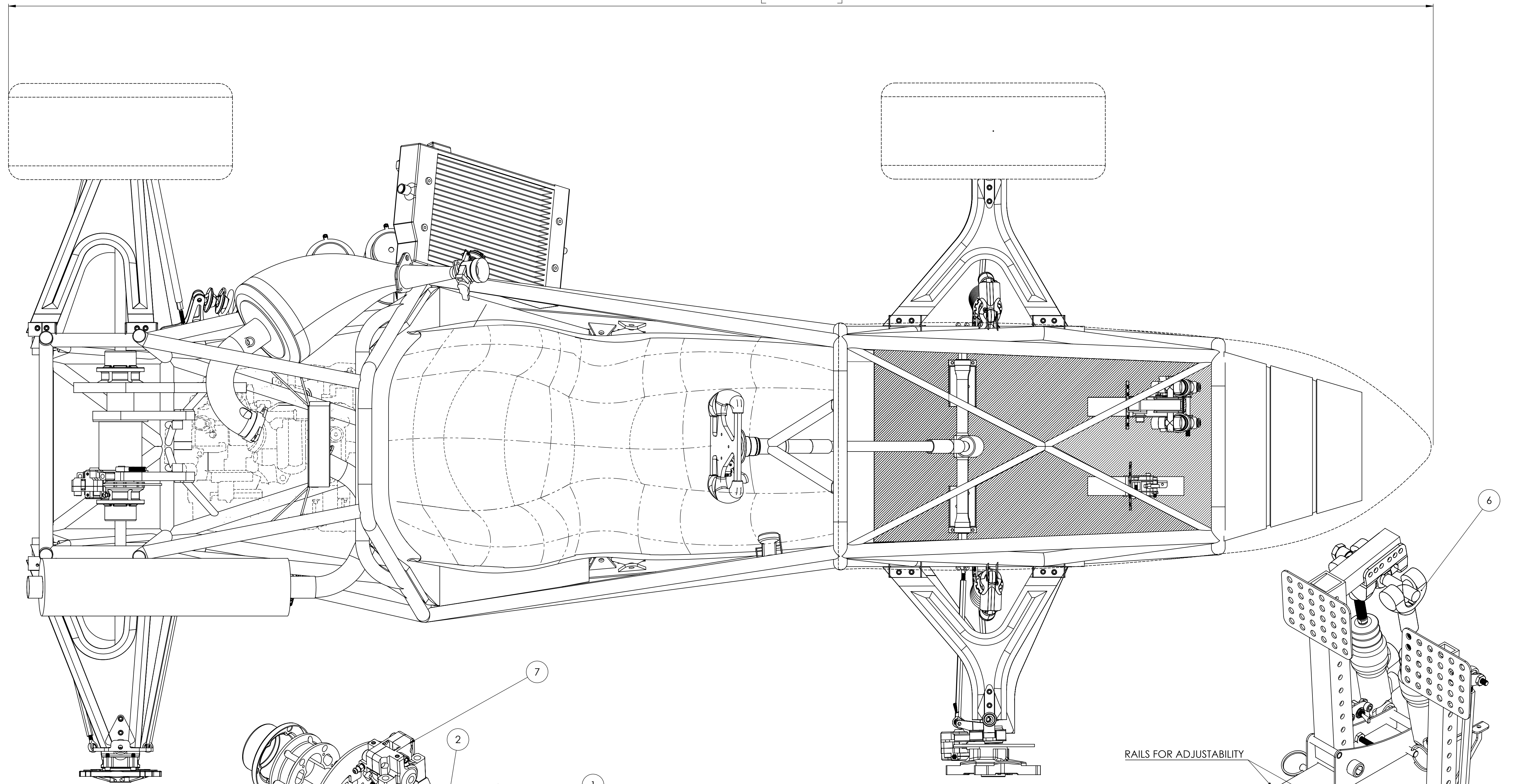
Balloon Number	Description
1	Aluminum 7075 CNC Upright
2	Aluminum 7075 Camber Cap
3	4130 Steel Waterjet Bell Crank
4	Waterjet, Steel Balljoint Capture
5	Carbon Fiber Nose Cone

LEHIGH UNIVERSITY - CAR 86

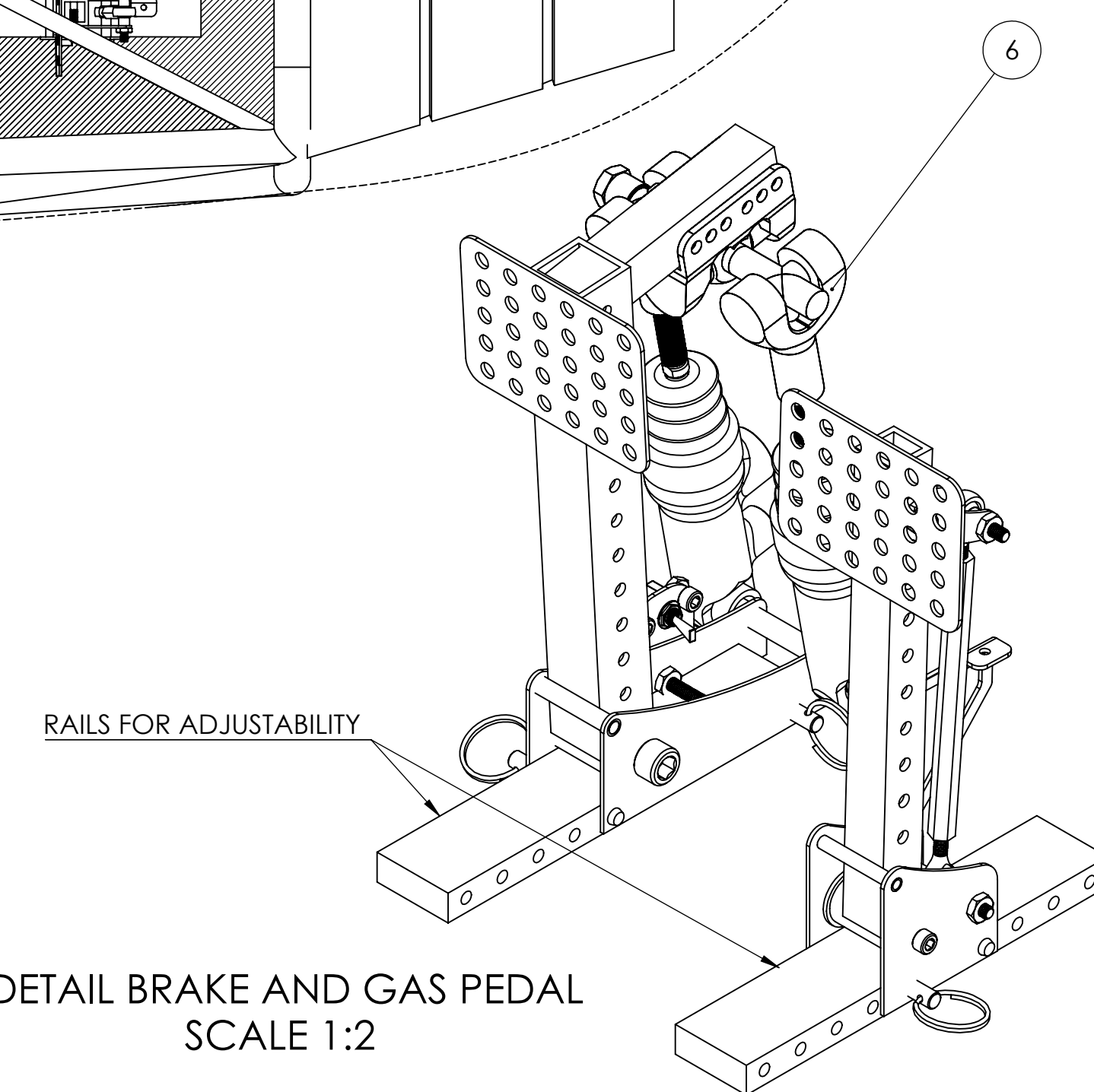


Title:	SIDE VIEW	
Scale:	1:4	Sheet: 1 of 3
DIMMENSIONS IN INCHES [mm]		

LENGTH 103.50 [2629.00]



DETAIL OF SPOOL
SCALE 1:2.5



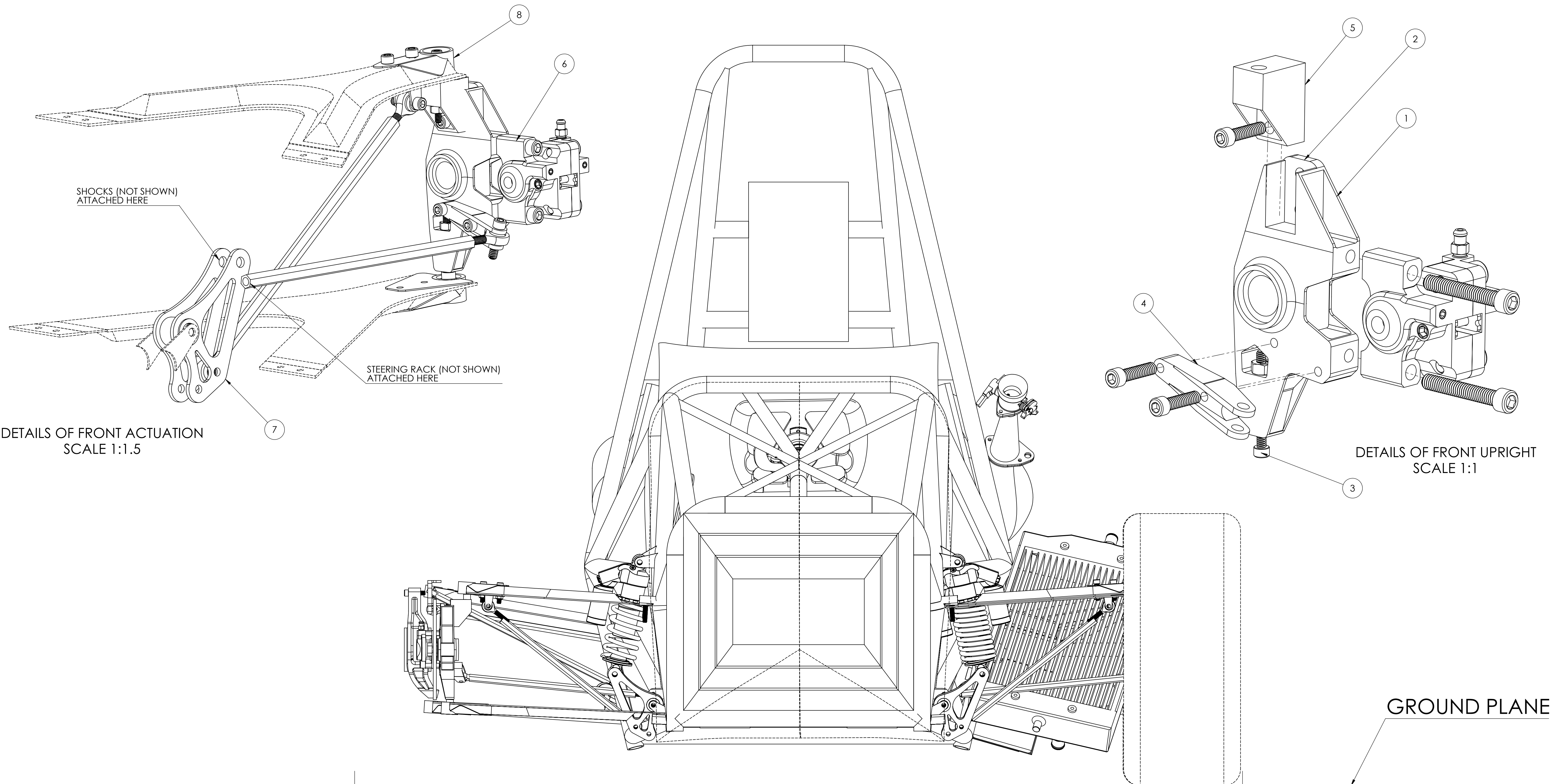
RAILS FOR ADJUSTABILITY
DETAIL BRAKE AND GAS PEDAL
SCALE 1:2

Balloon Number	Description
1	Aluminum 7075 Spool Center
2	Aluminum 6061 Torsion Tube
3	Aluminum 7075 Spool Plates
4	Aluminum 7075 Brake Flange
5	Aluminum 7075 Integrated Sprocket
6	Tilton 78 Series SKU: 78-625 5/8" bore (front) Tilton, 78 Series SKU : 78-750 3/4" bore (rear)
7	ISR22-049 OC Calipers

LEHIGH UNIVERSITY - CAR 86



Title:	TOP VIEW	
Scale:	1:4	Sheet: 2 of 3
DIMMENSIONS IN INCHES [mm]		



DETAILS OF FRONT ACTUATION
SCALE 1:1.5

DETAILS OF FRONT UPRIGHT
SCALE 1:1

GROUND PLANE

FRONT & REAR TRACK 44.30 [1125.22]

WIDTH 53.16 [1350.17]

Balloon Number	Description
1	Aluminum 7075 Upright
2	Location of shims for camber adjustment
3	Long bolt shank for upright
4	Aluminum 7075 Steering Toe Link
5	Aluminum 7075 Camber Cap
6	ISR 22-049 OC (right caliper) ISR 22-049 OD (left caliper)
7	Waterjet, 4130 Steel Bell Crank
8	Waterjet, Steel Balljoint Captures

LEHIGH UNIVERSITY - CAR 86



Title: FRONT VIEW

Scale: 1:3

Sheet: 3 of 3

DIMMENSIONS IN INCHES [mm]